

HYDRAULIC HOIST for Mobile Crane Vehicle

APE Series / 900 - 1,200 - 1,600 - 1,900 kg lifting capacity

- Internally lubricated for reliable power and an exceptionally long service life.
- Compact, hardened and high efficiency gear trains reduce power loss and placed inside the drum.
- Multi-Disc Brake (MDB) patented and two way counter-balance valve together for holding full load.
- The normal lifting capacity is rated at the top layer of wire rope. It always lifts its rated load no matter what layer of wire rope it is.
- The drum is dimensioned to obtain a minimum D/d ratio of 18:1 with a 5:1 minimum safety factor at the rated load.
- The hoist meets the requirement of FEM9.511 covering rating and classification and FEM 1001 standard for the calculation of lifting equipment.
- Compliance with international standards such as ASME B30.7 and, CE Machinery Directive 2006/42/EC and EN 14492-2 : 2006 Power Driven Hoists.



APE 19/16

1,900/1,600 KG Hydraulic Hoist for Mobile Crane

• Meets ASME B30.7 and, CE Machinery Directive 2006/42/EC standards

APE 19 PN 681930 Std. drum | PN 681940 Long drum

APE 16 PN 681920



SPECIFICATIONS :

Rated line lift :

APE 19 : 1,900 kg (4,190 lb) single line at the top layer of rope

APE 16 : 1,600 kg (3,527 lb) single line at the top layer of rope

Motor :

APE 19 : 200 cm³/rev (12.2 in³/rev)

APE 16 : 159.7 cm³/rev (9.7 in³/rev)

Operation pressure : 205 bar (2,973 psi) with maximum back pressure on return line of 5 bar

Max-Min pump flow :

APE 19 : 60 - 20 l/min (15.9 - 5.3 g/min)

APE 16 : 45 - 15 l/min (11.9 - 4.0 g/min)

Gear train & ratio : 1-stage planetary 5.8:1

Brake : Multi-Disc Brake (MDB) patented and counter-balance valve together

Hoist construction : Steel housings with steel drum

Hoist Rotation : Counter clockwise rotation of the drum

Drum size (dxDxL) :

APE 19 (Std. drum) / 16 : 210 x 344 x 191 mm (8.3" x 13.5" x 7.5")

APE 19 (Long drum) : 210 x 344 x 320 mm (8.3" x 13.5" x 12.6")

Recommended wire rope :

APE 19 : 12 mm x 48 m for std. drum and 12 mm x 82 m for long drum with 1,960 N/mm² grade with minimum breaking strength of 100 kN for EN 14492-2 rating

1/2" x 157' for std. drum and 1/2" x 269' for long drum with EIPS grade with minimum breaking strength of 22,487 lbf for ASME B30.7 rating

APE 16 : 10 mm x 57 m with 2,160 N/mm² grade with minimum breaking strength of 78.2 kN for EN 14492-2 rating

3/8" x 187' with EIPS grade with minimum breaking strength of 17,593 lbf for ASME B30.7 rating

Mounting bolt pattern :

APE 19 (Std. drum) / 16 : 290 x 196 mm (11.4" x 7.7")

APE 19 (Long drum) : 290 x 325 mm (11.4" x 12.8")

Hoist weight : APE 19 (Std. drum) : 88 kg / 194 lb

APE 19 (Long drum) : 101 kg / 223 lb

APE 16 : 87 kg / 192 lb

Gross weight : APE 19 (Std. drum) : 106 kg / 234 lb

APE 19 (Long drum) : 123 kg / 271 lb

APE 16 : 105 kg / 232 lb

Box dimension, (L x D x H) :

APE 19 (Std. drum) / 16 : 490 x 490 x 600 mm (19.3" x 19.3" x 23.6")

APE 19 (Long drum) : 620 x 510 x 600 mm (24.4" x 20.1" x 23.6")

PERFORMANCE DATA :

Line Lift and Rope Capacity

APE 19

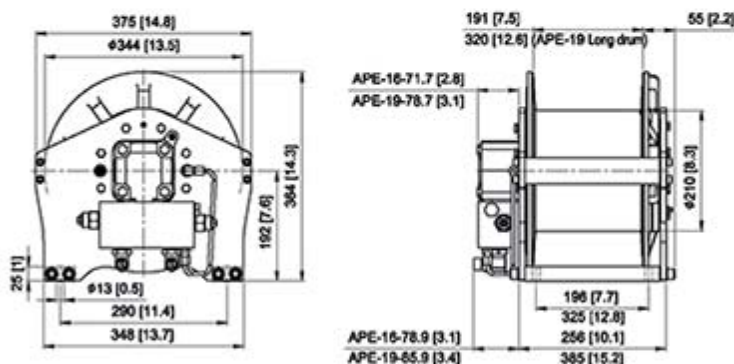
Layer of Wire Rope	Lift by Layer, kg / lb	Line Speed, mpm / fpm	Total Rope on the Drum, m / ft	
			Std. drum	Long drum
1 st	2,515 / 5,545	35.0 / 115	10.4 / 34	18 / 59
2 nd	2,270 / 5,004	38.8 / 127	22 / 72	38 / 124
3 rd	2,068 / 4,559	42.6 / 140	35 / 114	60 / 195
4 th	1,900 / 4,190	46.4 / 153	48 / 157	82 / 269

APE 16

Layer of Wire Rope	Lift by Layer, kg / lb	Line Speed, mpm / fpm	Total Rope on the Drum, m / ft
1 st	2,036 / 4,489	33.8 / 111	12.5 / 41
2 nd	1,866 / 4,114	36.8 / 121	26.2 / 86
3 rd	1,723 / 3,796	40 / 131	41 / 134
4 th	1,600 / 3,527	43 / 141	57 / 187

The total rope on the drum may vary from figures stated elsewhere

DIMENSION mm/in :



- Option Accessories
- Cable tensioner
 - Wire rope with hook
 - Up and Down limit protection device

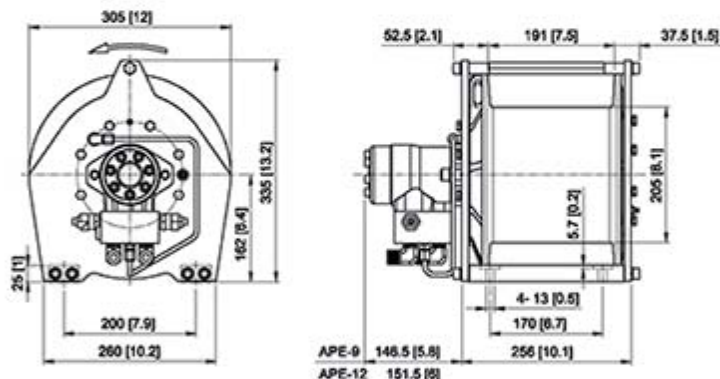
1,200/900 KG Hydraulic Hoist for Mobile Crane

• Meets ASME B30.7 and, CE Machinery Directive 2006/42/EC standards

APE 12 PN 681910 | APE 9 PN 681900



DIMENSION mm/in :



SPECIFICATIONS :

Rated line lift :

APE 12 : 1,200 kg (2,640 lb) single line at the top layer of rope

APE 9 : 900 kg (1,984 lb) single line at the top layer of rope

Motor :

APE 12 : 194.6 cm³/rev (11.9 in³/rev)

APE 9 : 155.7 cm³/rev (9.5 in³/rev)

Operation pressure :

APE 12 : 150 bar (2,176 psi) with maximum back pressure on return line of 5 bar

APE 9 : 140 bar (2,031 psi) with maximum back pressure on return line of 5 bar

Max-Min pump flow :

APE 12 : 40 - 20 l/min (10.6 - 5.3 g/min)

APE 9 : 35 - 15 l/min (9.2 - 4.0 g/min)

Gear train & ratio : 1-stage planetary 5:1

Brake : Multi-Disc Brake (MDB) patented and counter-balance valve together

Hoist construction : Steel housings with steel drum

Hoist Rotation : Counter clockwise rotation of the drum

Drum size (dxDxL) : 205 x 305 x 191 mm (8.1" x 12.0" x 7.5")

Recommended wire rope :

APE 12 : 10 mm x 55 m with 1,960 N/mm² grade with minimum breaking strength of 69.8 kN for EN 14492-2 rating
3/8" x 180' with EIPS grade with minimum breaking strength of 15,663 lbf for ASME B30.7 rating

APE 9 : 8 mm x 68 m with 1,960 N/mm² grade with minimum breaking strength of 44.7 kN or EN 14492-2 rating
5/16" x 223' with EIPS grade with minimum breaking strength of 10,003 lbf for ASME B30.7 rating

Mounting bolt pattern : 200 x 170 mm (7.9" x 6.7")

Hoist weight : APE 12 : 64 kg / 141 lb

APE 9 : 63 kg / 140 lb

Gross weight : APE 12 : 81 kg / 179 lb

APE 9 : 80 kg / 176 lb

Box dimension, (L x D x H) : 550 x 440 x 570 mm (21.7" x 17.3" x 22.4")

Option Accessories

- Cable tensioner
- Wire rope with hook
- Up and Down limit protection device

PERFORMANCE DATA :

Line Lift and Rope Capacity

APE 12

Layer of Wire Rope	Lift by Layer, kg / lb	Line Speed, mpm / fpm	Total Rope on the Drum, m / ft
1 st	1,535 / 3,384	27.8 / 91	12.2 / 40
2 nd	1,404 / 3,094	30.4 / 100	25.6 / 84
3 rd	1,294 / 2,853	33 / 108	40 / 131
4 th	1,200 / 2,645	35.5 / 116	55 / 180

APE 9

Layer of Wire Rope	Lift by Layer, kg / lb	Line Speed, mpm / fpm	Total Rope on the Drum, m / ft
1 st	1,100 / 2,425	30.1 / 99	15 / 50
2 nd	1,023 / 2,255	32.3 / 106	31.8 / 104
3 rd	956 / 2,108	34.6 / 114	49.4 / 162
4 th	900 / 1,984	37 / 121	68 / 223

The total rope on the drum may vary from figures stated elsewhere

