

COMEUP

COMPACT CHAIN HOIST / AC WINCH ELECTRIC GROOVED WINCH



AUTOMOTIVE WINCH

POWERSPORTS WINCH

INDUSTRIAL WINCH

COMEUP

COMEUP INDUSTRIES INC.

No.139, Jieyukeng Rd., Ruifang Dist., New Taipei City 22453, Taiwan

Tel :+886-2-24971788

Fax:+886-2-24971699

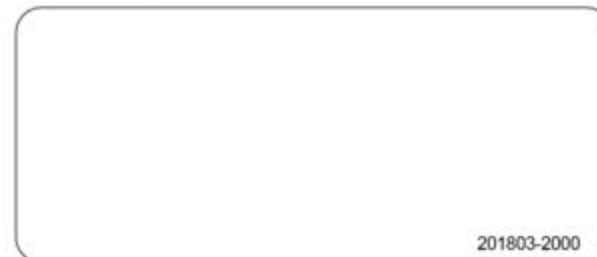
E-mail:info@comeup.com.tw

<http://www.comeupwinch.com>

<http://www.facebook.com/COMEUP>



Distributed By



201803-2000

Copyright © COMEUP INDUSTRIES INC. All rights reserved. COMEUP is registered trademark of COMEUP INDUSTRIES INC. Products may look different upon modification. Specifications are subject to change without prior notice. COMEUP reserves the right to improve our products at any time.

www.comeupwinch.com

CONTENTS

COMPACT CHAIN HOIST P01-02
 • 1ph AC 500 -1000 kg lift

ELECTRIC WINCH P03-09
 • 1ph AC 200-250-300-400-500 kg lift
 • 3ph AC 300-500-750-900-1100-2200-3500-5000 kg lift

COMPACT WINCH P10-13
 • 1ph AC 80-160-200-230-300 kg lift

LONGER ROPE COMPACT WINCH P14-15
 • 1ph AC 200-300 kg lift

CABLE PULLER P15
 • 1ph AC 2500 kg pull

ACCESSORY P16

ELECTRIC GROOVED WINCH P17-20
 • 1ph AC 500-1,000 kg lift
 • 3ph AC 500-1,000-2,000-3,000 kg lift

ENGINEERING DATA P21



- Permanent magnetic motor features constant output and low noise level.
- Lightweight and compact designs are ideal for easy installation.
- Dual brakes for double mechanical ratchet pawls and a motor dynamic brake provide slip free operation.
- Safety slipping clutch prevents hook becoming trapped into the hoist in the "up" direction
- Power cutoff switch prevent the overloading of the hoist
- Tough aluminum die cast housing provides massive structural durability.
- Can operate on standard domestic power supply and equip with industrial plug
- A switch w/emergency stop comes as standard
- A 360° bottom hook fitted with a self-locking latch has a bearing is capable of swiveling with the safe working load applied
- Standard Compliance: CE Machinery Directive 2006/42/EC, CE EMC Directive 2004/108/EC, EN 14492-2 Power Driven hoists 2006, JIS B8815, ISO 4301-1 and ASME B30.7

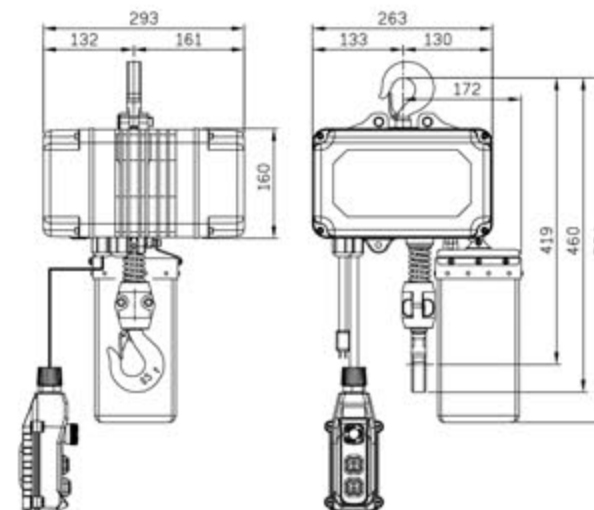
SPECIFICATIONS:

Model	CK-500	CK-1000
Duty Cycle	25% ED at 63% of rated load	
Drive Group	FEM: 9,511 1Bm, ISO: 4301-1 M3	
Voltage	100 – 120V, 200 – 240V AC, single phase	
Lifting Load	500 kg	1,000 kg
Lifting Height	3 m 6 m	3 m 6 m
Type of Fall	Single	Double
Motor Output	100 – 120 V / 750w, 9.5A permanent magnetic 200 – 240 V / 750w, 4.5A permanent magnetic	
Line Speed	6.5 m/min	3.2 m/min
Brake	Dual brakes of double mechanical ratchet pawls and motor dynamic brake	
Gear Ratio	70.2 :1	
Load Chain	Grade 80- Links 6.3 mm dia. x 19 mm long	

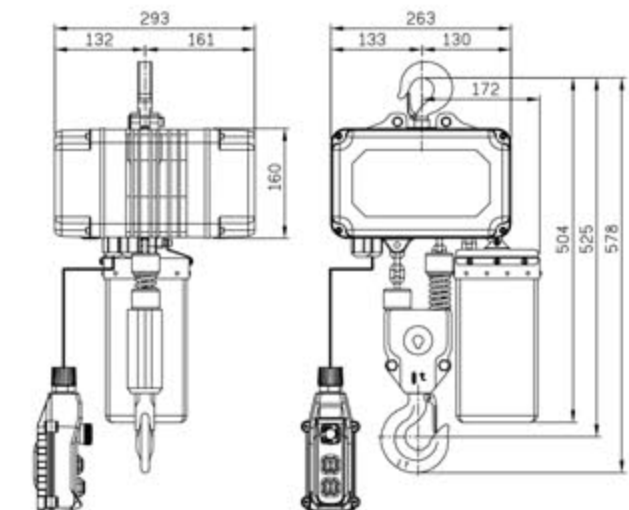
* The lifting height shown is the maximum using the standard chain storage bag. For further options are also available upon request

DIMENSION:mm/in

CK-500



CK-1000

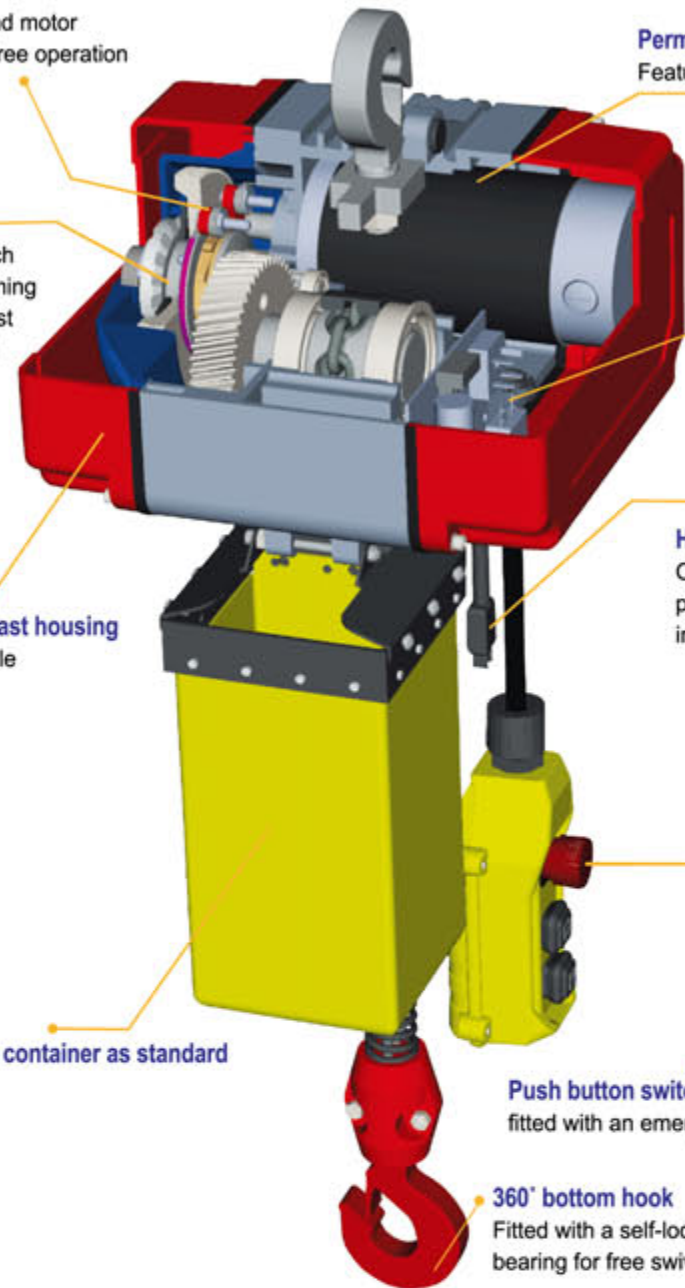


Dual brakes
mechanical ratchet pawls and motor dynamic brake provide slip free operation

Friction clutch
Safety slipping clutch prevent hook becoming trapped into the hoist in the "up" direction

Aluminum die cast housing
Tough and durable

Durable canvas container as standard



Permanent magnetic motor
Features constant output and low noise level

Cutoff switch
Power cutoff switch prevent the overloading of the hoist

House power supply
Operate on standard domestic power supply and equip with industrial plug

Push button switch
fitted with an emergency stop button as standard

360° bottom hook
Fitted with a self-locking latch with bearing for free swiveling

PACKAGE:

- Hoist weight: 19.3 kg
- Gross weight: 27 kg for CK-500
32 kg for CK-1000
- Box dimension: 380 x 410 x 345 mm

STANDARD ACCESSORIES:

- Load chain Grade 80
- Remote control w/emergency stop w/1.25 mm² x 6C x 3 m cord
- Industrial plug w/1.5 mm² x 3C x 3 m
- CK-500: hook tackle : CK-1000: hook block
- Hook suspension
- Chain bag
- Power cutoff switch

Warranty:

Each new hoist is guaranteed against defects in workmanship and material defects for a period of twelve months from date of purchase. Chain are not included under warranty

Warning:

- The hoist is not intended to be used in any manner for the movement or lifting of personnel.
- The fixing point for baby hoist shall be capable of supporting the load required.



- Positive retention of wire rope on the drum
- Electromagnetic spring-applied failsafe brake
- Heavy duty high efficiency ball bearings on all running surfaces
- Planetary gears for maximum mechanical efficiency
- Enclosed drum flanges to prevent rope becoming trapped between drum and support steel plates
- Quiet running
- Emergency stop function switch is available upon request
- Low voltage control ass'y is available upon request

SPECIFICATIONS

MODEL		CP-200	CP-250	CP-300
Lifting capacity kg wire rope top layer		200	250	300
Lifting speed, m/min	first layer	10		
	top layer	15		
Motor rating IP44	type	Induction		
	output, kw x poles	1ph,110V	1ph,220-240V	
		0.6 x 4	0.75 x 4	1.1 x 4
Gear ratio		43:1		
Maximum lifting height, m		29		
Braking methods		Electromagnetic		
Wire rope w/hook	size, mm x m	* 6 x 30		* 6 x 30
	construction	5 x 45		
	breaking strength, kg	6 x 19		
	weight hook	2,010	1,270	2,010
		CHW-0031		
Drum dimension, mm	length	110		
	drum dia.	94		
	flange dia.	154		
Mounting bolts pattern, mm x mm		142 x 142 ; 142 x 94		
Standard accessory	weight hook	*		
	remote control	*		
	power lead	1.5 mm ² x 3C x 3 m and industry plug		
Net weight, kg (standard version)	32	34	38	
Gross weight, kg	34	36.5	40	
Body dimension, mm (L x D x H)	510 x 210 x 241	548 x 210 x 241	576 x 210 x 241	
Box dimension, mm (L x D x H)	610 x 285 x 285	630 x 285 x 285	650 x 290 x 295	

Note: 1. Above performance ratings are based on 50Hz supply. (60Hz motor available as option resulting in a reduction of lifting capacities by 20% and a speed increase of 20%)
2. *** Means standard version

SOLUTION for REMOTE CONTROL

- 1). *Remote control, HOB-213
- Switch cord 1.25 mm² x 5C x 3 m
- Pendant switch HOB-213
- 2). Remote control, PB-331
- Switch cord 1.25 mm² x 5C x 3 m
- Pendant switch PB-331 w/an emergency stop button
- 3). Low voltage control ass'y LV-320
- Remote control, PB-306
- Switch cord 1.25 mm² x 3C x 3 m
- Pendant switch PB-306 w/an emergency stop button
- Low voltage control, LV-320

PERFORMANCE DATA

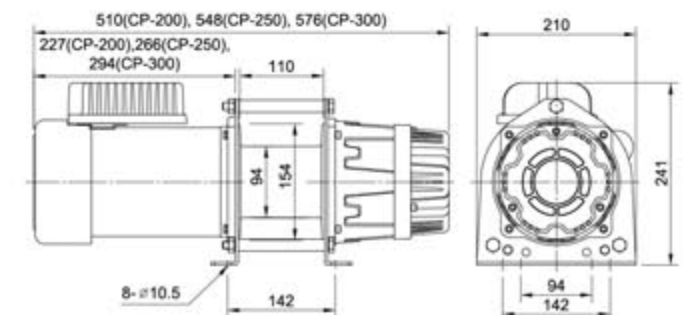
Pulling load capacity for various inclines in kg						
MODEL	Level Surface	Gradient % inclines / angle in degrees				
		10%6°	20%11°	40%22°	60%31°	80%39°
CP-200	1,670	890	650	410	320	280
CP-250	2,080	1,120	810	520	400	350
CP-300	2,500	1,340	970	620	490	410

1. All rating are based on the top layer. For each layer reduction on the drum pulling capacity is increased by 10%
2. Use a snatch block for double line operation, to increase line pull by approximately 85%
3. The pulling capacities are based on a pulling load and 15% has been allowed for friction (specific applications will vary)

Lifting Capacity, Lifting Speed and Rope Capacity					
Layer of Wire Rope	Lifting Capacity kg			Lifting Speed m/min	Total Rope on the Drum, m
MODEL	CP-200	CP-250	CP-300	CP-200 / 250 / 300	
1 st	296	370	444	10	5.4
2 nd	264	330	396	11.3	11.5
3 rd	239	298	358	12.5	18.3
4 th	218	272	327	13.8	25.7
5 th	200	250	300	15	30

Note: Above performance ratings are based on 50Hz supply.

DIMENSION mm/in



CP-500, CP-500T

500 kg



Electric Winch

200V-240V x 1ph AC (CP-500)
380V-440V x 3ph AC (CP-500T)

- Lightweight and compact design for easy installation
- Electromagnetic spring-applied failsafe brake
- Heavy duty high efficiency ball bearings on all running surfaces
- Planetary gears for maximum mechanical efficiency
- Enclosed drum flanges to prevent rope becoming trapped between drum and support steel plates
- Steel plate foot mountings
- Quiet running
- Emergency stop function switch is available upon request
- Low voltage control ass'y is available upon request

SPECIFICATIONS

MODEL		CP-500	CP-500T
Lifting capacity kg wire rope top layer		500	
Lifting speed, m/min	first layer	10	12
	top layer	15	18
Motor rating IP44	type	Induction	
	output, kw x poles	1ph, 220-240V 3ph, 380-440V	1.8 x 4
Gear ratio		48:1	42:1
Maximum lifting height, m		58	
Braking methods		Electromagnetic	
Wire rope w/hook	size, mm x m	* 7 x 60	
	construction	6 x 19	
	breaking strength, kg	2,700	
Drum dimension, mm	weight hook	CHW-0005	
	length	220	
	drum dia.	102	
	flange dia.	180	
Mounting bolts pattern, mm x mm		267 x 156 ; 267 x 72	
Standard accessory	weight hook	*	
	remote control	*	
Net weight, kg (standard version)		55	54
Gross weight, kg		62	62
Body dimension, mm (L x D x H)		728 x 260 x 299	704 x 260 x 299
Box dimension, mm (L x D x H)		750 x 300 x 380	

Note: 1. Above performance ratings are based on 50Hz supply.
(60Hz motor available as option resulting in a reduction of lifting capacities by 20% and a speed increase of 20%)
2. *** Means standard version

SOLUTION for REMOTE CONTROL

- *Remote control, HOB-213
 - Switch cord 3.5 mm² x 5C x 6 m
 - Pendant switch HOB-213
- Remote control, PB-331
 - Switch cord 3.5 mm² x 5C x 6 m
 - Pendant switch PB-331 w/an emergency stop button
- Low voltage control ass'y LV-320
 - Remote control, PB-306
 - . Switch cord 1.25 mm² x 3C x 3 m
 - . Pendant switch PB-306 w/an emergency stop button
 - Low voltage control, LV-320

PERFORMANCE DATA

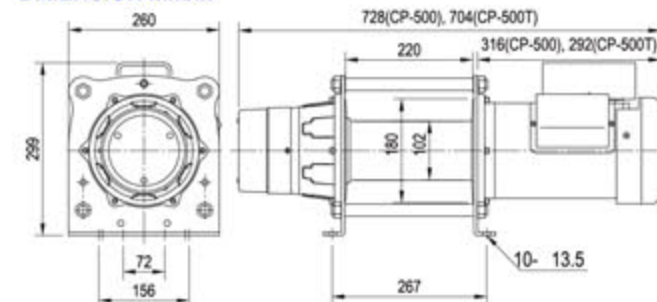
MODEL	Level Surface	Gradient % inclines / angle in degrees				
		10%6°	20%11°	40%22°	60%31°	80%39°
CP-500		4,170	2,230	1,620	1,040	810
CP-500T						690

- All rating are based on the top layer. For each layer reduction on the drum pulling capacity is increased by 10%
- Use a snatch block for double line operation, to increase line pull by approximately 85%
- The pulling capacities are based on a pulling load and 15% has been allowed for friction (specific applications will vary)

Lifting Capacity, Lifting Speed and Rope Capacity				
Layer of Wire Rope	Lifting Capacity kg	Lifting Speed, m/min		Total Rope on the Drum, m
MODEL	CP-500 / 500T	CP-500	CP-500T	CP-500 / 500T
1 st	757	10	12	10
2 nd	671	11.6	13.4	22
3 rd	602	12.9	14.9	35
4 th	546	14.2	16.4	50
5 th	500	15	18	60

Note: Above performance ratings are based on 50Hz supply.

DIMENSION mm/in



- Low voltage control ass'y LV-320 (CP-500T only)
 - Remote control, CPB-161
 - . Switch cord 1.25 mm² x 3C x 3 m
 - . Pendant switch CPB-161
 - Low voltage control, LV-320

CP-750T

750 kg



Electric Winch

380V-440V x 3ph AC

- Lightweight and compact design for easy installation
- Electromagnetic spring-applied failsafe brake
- Heavy duty high efficiency ball bearings on all running surfaces
- Planetary gears for maximum mechanical efficiency
- Enclosed drum flanges to prevent rope becoming trapped between drum and support castings
- Cast steel foot mountings
- Quiet running
- Rated capacity limiter limits driving power of the motor to prevent overloading of the winch
- Low voltage control ass'y comes as standard
- Emergency stop function switch is available upon request

SPECIFICATIONS

MODEL		CP-750T
Lifting capacity kg wire rope top layer		750
Lifting speed, m/min	first layer	10
	top layer	15
Motor rating IP54	type	Induction
	output, kw x poles	3ph, 380-440V
Gear ratio		58:1
Maximum lifting height, m		58
Braking methods		Electromagnetic
Wire rope w/hook	size, mm x m	* 9 x 60
	construction	6 x 19
	breaking strength, kg	3,750
Drum dimension, mm	length	240
	drum dia.	114
	flange dia.	240
Mounting bolts pattern, mm x mm		300 x 400
Standard accessory	safety-latch hook	*
	remote control	*
	low voltage control	*
	base plate	*
Net weight, kg (standard version)		135
Gross weight, kg		165
Body dimension, mm (L x D x H)		870 x 424 x 360
Box dimension, mm (L x D x H)		970 x 530 x 520

Note: 1. Above performance ratings are based on 50Hz supply.
(60Hz motor available as option resulting in a reduction of lifting capacities by 20% and a speed increase of 20%)
2. *** Means standard version

SOLUTION for REMOTE CONTROL

- *Low voltage control ass'y LV-320
 - Remote control, CPB-161
 - . Switch cord 1.25 mm² x 3C x 3 m
 - . Pendant switch CPB-161
 - Low voltage control, LV-320
- Low voltage control ass'y LV-320
 - Remote control, PB-306
 - . Switch cord 1.25 mm² x 3C x 3 m
 - . Pendant switch PB-306 w/an emergency stop button
 - Low voltage control, LV-320

PERFORMANCE DATA

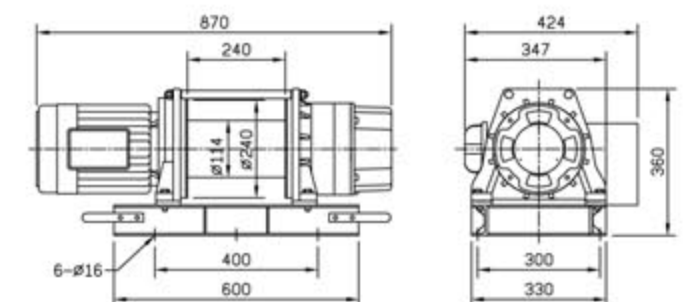
MODEL	Level Surface	Gradient % inclines / angle in degrees				
		10%6°	20%11°	40%22°	60%31°	80%39°
CP-750T		6,250	3,350	2,430	1,550	1,210
						1,040

- All rating are based on the top layer. For each layer reduction on the drum pulling capacity is increased by 10%
- Use a snatch block for double line operation, to increase line pull by approximately 85%
- The pulling capacities are based on a pulling load and 15% has been allowed for friction (specific applications will vary)

Lifting Capacity, Lifting Speed and Rope Capacity			
Layer of Wire Rope	Lifting Capacity kg	Lifting Speed m/min	Total Rope on the Drum, m
1 st	1,188	10	9.9
2 nd	1,036	11	21.3
3 rd	920	12.4	34.2
4 th	826	13.8	48.5
5 th	750	15	60

Note: Above performance ratings are based on 50Hz supply.

DIMENSION mm/in



CWG-10077, CWG-30075

300 kg



Electric Winch

110V, 220V-240V x 1ph AC (CWG-10077)
380V-440V x 3ph AC (CWG-30075)

- Positive retention of wire rope on the drum
- Electromagnetic spring-applied failsafe brake
- Heavy duty high efficiency ball bearings on all running surfaces
- Planetary gears for maximum mechanical efficiency
- Enclosed drum flanges to prevent rope becoming trapped between drum and support steel plates
- Quiet running
- Emergency stop function switch is available upon request
- Low voltage control ass'y is available upon request

PERFORMANCE DATA

Pulling load capacity for various inclines in kg

MODEL	Level Surface	Gradient % inclines / angle in degrees				
		10%6°	20%11°	40%22°	60%31°	80%39°
CWG-10077	2,500	1,340	970	620	490	410
CWG-30075						

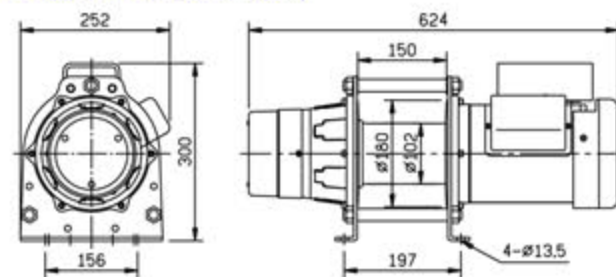
1. All rating are based on the top layer. For each layer reduction on the drum pulling capacity is increased by 10%
2. Use a snatch block for double line operation, to increase line pull by approximately 85%
3. The pulling capacities are based on a pulling load and 15% has been allowed for friction (specific applications will vary)

Lifting Capacity, Lifting Speed and Rope Capacity

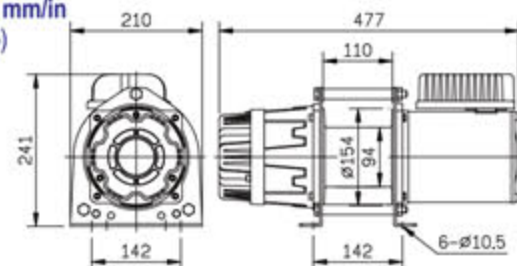
Layer of Wire Rope	MODEL	Lifting Capacity kg		Lifting Speed m/min		Total Rope on the Drum, m	
		CWG-10077	CWG-30075	CWG-10077	CWG-30075	CWG-10077	CWG-30075
1 st		467	444	12	10	8.1	5.4
2 nd		420	396	13.5	11.4	17.2	11.5
3 rd		382	358	14.9	12.5	27.1	18.3
4 th		350	326	16.2	13.8	38	25.7
5 th		323	300	17.6	15	50	30
6 th		300	-	19	-	60	-

Note: Above performance ratings are based on 50Hz supply.

DIMENSION mm/in (CWG-10077)



DIMENSION mm/in (CWG-30075)



SPECIFICATIONS

MODEL	CWG-10077	CWG-30075
Lifting capacity kg wire rope top layer	300	
Lifting speed, m/min	12	10
top layer	19	15
Motor rating IP44	Induction	
output, kw x poles	1ph, 110V 1ph, 220-240V 3ph, 380-440V	1.5 x 4 -
Gear ratio	41:1	43:1
Maximum lifting height, m	58	29
Braking methods	Electromagnetic	
Wire rope w/ hook	size, mm x m construction breaking strength, kg weight hook	* 6 x 60 7 x 40 6 x 19 2,010 2,700 CHW-0031
Drum dimension, mm	length drum dia. flange dia.	150 102 180
110 94 154		
Mounting bolts pattern, mm x mm	197 x 156	142 x 142
Standard accessory	weight hook remote control	· ·
Net weight, kg (standard version)	42	32
Gross weight, kg	44	34
Body dimension, mm (L x D x H)	624 x 252 x 300	477 x 210 x 241
Box dimension, mm (L x D x H)	700 x 280 x 375	635 x 296 x 290

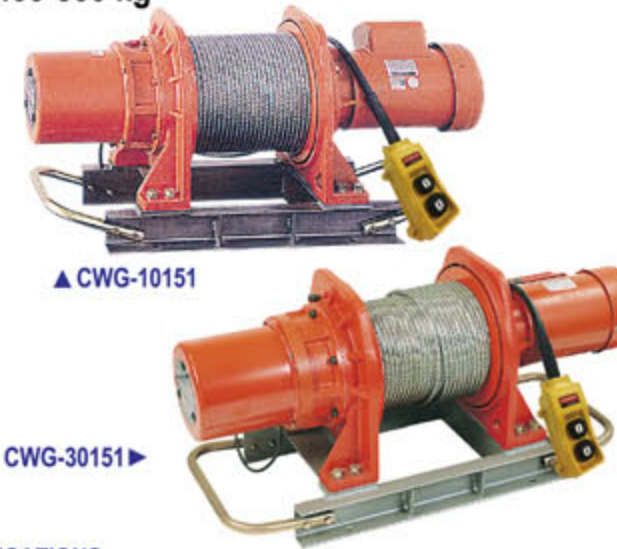
- Note: 1. Above performance ratings are based on 50Hz supply.
(60Hz motor available as option resulting in a reduction of lifting capacities by 20% and a speed increase of 20%)
2. *** Means standard version

SOLUTION for REMOTE CONTROL

- 1). *Remote control, HOB-213
- Switch cord 3.5 mm² x 5C x 3 m for CWG-10077
- Switch cord 1.25 mm² x 5C x 3 m for CWG-30075
- Pendant switch HOB-213
- 2). Remote control, PB-331
- Switch cord 3.5 mm² x 5C x 3 m for CWG-10077
- Switch cord 1.25 mm² x 5C x 3 m for CWG-30075
- Pendant switch PB-331 w/an emergency stop button
- 3). Low voltage control ass'y LV-320
- Remote control, PB-306
- Switch cord 1.25 mm² x 3C x 3 m
- Pendant switch PB-306 w/an emergency stop button
- Low voltage control, LV-320

CWG-10151, CWG-30151

400-500 kg



Electric Winch

220V-240V x 1ph AC (CWG-10151)
380V-440V x 3ph AC (CWG-30151)

- Electromagnetic spring-applied failsafe brake
- Heavy duty high efficiency ball bearings on all running surfaces
- Planetary gears for maximum mechanical efficiency
- Enclosed drum flanges to prevent rope becoming trapped between drum and support castings
- Cast steel foot mountings
- Fabricated steel drum
- Supplied on steel base plate ready to mount
- Quiet running
- Emergency stop function switch is available upon request
- Low voltage control ass'y is available upon request

PERFORMANCE DATA

Pulling load capacity for various inclines in kg

MODEL	Level Surface	Gradient % inclines / angle in degrees				
		10%6°	20%11°	40%22°	60%31°	80%39°
CWG-10151	3,330	1,790	1,300	830	650	550
CWG-30151	4,170	2,230	1,620	1,040	810	690

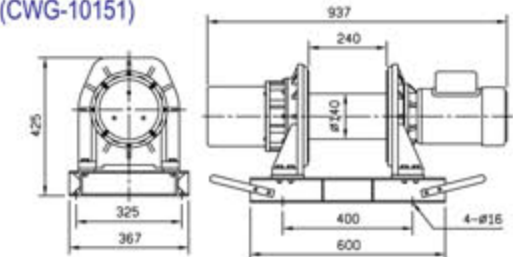
1. All rating are based on the top layer. For each layer reduction on the drum pulling capacity is increased by 10%
2. Use a snatch block for double line operation, to increase line pull by approximately 85%
3. The pulling capacities are based on a pulling load and 15% has been allowed for friction (specific applications will vary)

Lifting Capacity, Lifting Speed and Rope Capacity

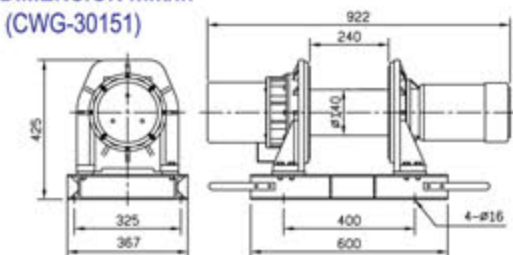
Layer of Wire Rope	MODEL	Lifting Capacity kg		Lifting Speed	Total Rope on the Drum, m
		CWG-10151	CWG-30151	m/min	CWG-10151 / 30151
1 st		593	742	12	12
2 nd		529	662	13.3	26
3 rd		478	597	14.8	40
4 th		436	544	16.2	57
5 th		400	500	18	60

Note: Above performance ratings are based on 50Hz supply.

DIMENSION mm/in (CWG-10151)



DIMENSION mm/in (CWG-30151)



SPECIFICATIONS

MODEL	CWG-10151	CWG-30151
Lifting capacity kg wire rope top layer	400	500
Lifting speed, m/min	12	10
top layer	18	15
Motor rating IP44	Induction	
output, kw x poles	1ph, 220-240V 3ph, 380-440V	1.5 x 4 -
Gear ratio	57:1	
Maximum lifting height, m	58	
Braking methods	Electromagnetic	
Wire rope w/ hook	size, mm x m construction breaking strength, kg weight hook	* 9 x 60 8 x 100 6 x 24 3,750 2,970 CHW-0005
Drum dimension, mm	length drum dia. flange dia.	240 140 280
Mounting bolts pattern, mm x mm	400 x 325	
Standard accessory	weight hook remote control base plate	· · ·
Net weight, kg (standard version)	125	
Gross weight, kg	150	
Body dimension, mm (L x D x H)	937 x 367 x 425	922 x 367 x 425
Box dimension, mm (L x D x H)	1,090 x 470 x 590	

- Note: 1. Above performance ratings are based on 50Hz supply.
(60Hz motor available as option resulting in a reduction of lifting capacities by 20% and a speed increase of 20%)
2. *** Means standard version

SOLUTION for REMOTE CONTROL

- 1). *Remote control, HOB-213
- Switch cord 3.5 mm² x 5C x 3 m for CWG-10151
- Switch cord 2.0 mm² x 5C x 3 m for CWG-30151
- Pendant switch HOB-213
- 2). Remote control, PB-331
- Switch cord 3.5 mm² x 5C x 3 m for CWG-10151
- Switch cord 2.0 mm² x 5C x 3 m for CWG-30151
- Pendant switch PB-331 w/an emergency stop button
- 3). Low voltage control ass'y LV-320
- Remote control, PB-306
- Switch cord 1.25 mm² x 3C x 3 m
- Pendant switch PB-306 w/an emergency stop button
- Low voltage control, LV-320

CWG-30375, CWG-30565, CWG-30750, CWG-31500, CWG-34000

900-1,100-2,200-3,500-5,000 kg



▲ CWG-34000



▲ CWG-30750



▲ CWG-31500

- Electromagnetic spring-applied failsafe brake
- Heavy duty high efficiency ball bearings on all running surfaces
- Planetary gears for maximum mechanical efficiency
- Cast steel foot mountings
- Fabricated steel drum
- Supplied on steel base plate ready to mount
- Rated capacity limiter limits driving power of the motor to prevent overloading of the winch
- Quiet running
- Low voltage control ass'y comes as standard
- Emergency stop function switch is available upon request

SPECIFICATIONS

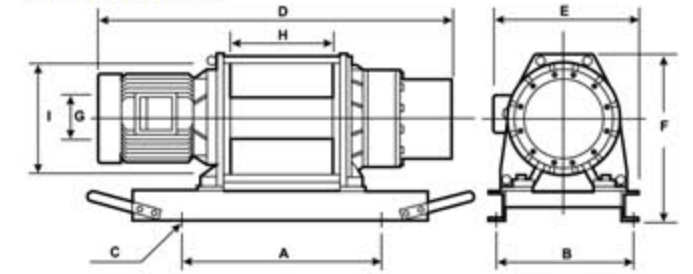
MODEL	CWG-30375		CWG-30565		CWG-30750		CWG-31500		CWG-34000		
Option	A	B	A	B	A	B	A	B	A	B	
Lifting capacity kg wire rope top layer	900		1,100		2,200		3,500		5,000		
Lifting speed, m/min	first layer	13	8.5	14	9.2	6.9	4.5	5.8	4.4	8	5.3
	top layer	20.6	13.5	25	16.4	12.6	8.3	8	6	12.2	8
Motor rating IP54	Induction										
	type	3.8 x 4		2.2 x 6		5.5 x 4		3.8 x 6		5.5 x 6	
output, kw x poles	2.2 x 6		5.5 x 4		3.8 x 6		5.5 x 6		3.8 x 8		
Gear ratio	48:1		50:1		127:1		192:1		197:1		
Maximum lifting height, m	58		97		97		144		192		
Braking methods											
Electromagnetic											
Wire rope w/ hook	size, mm x m	* 10 x 60		* 12 x 100		* 16 x 100		* 18 x 150		* 22.4 x 200	
	construction	6 x 24									
	breaking strength, kg	4,640		6,680		11,900		15,000		23,300	
Drum dimension, mm	length	230		312		312		405		680	
	drum dia.	127		140		178		356		324	
	flange dia.	275		320		410		570		570	
Mounting bolts pattern, mm x mm	500 x 370		620 x 425		600 x 499		847 x 680		920 x 680		
Standard accessory	safety-latch hook	*									
	remote control	*									
	low voltage control	*									
	base plate	*									
Net weight, kg (standard version)	185		293		400		930		1,380		
Gross weight, kg	220		340		450		1,000		1,465		
Body dimension, mm (L x D x H)	974 x 400 x 445		1,120 x 470 x 520		1,246 x 565 x 658		1,439 x 740 x 860		1,860 x 740 x 905		
Box dimension, mm (L x D x H)	1,140 x 590 x 620		1,290 x 650 x 750		1,390 x 710 x 900		1,590 x 840 x 1,090		2,040 x 840 x 1,170		

Note: 1. Above performance ratings are based on 50Hz supply.
 (60Hz motor available as option resulting in a reduction of lifting capacities by 20% and a speed increase of 20%)
 2. *** Means standard version

Electric Winch

380V-440V x 3ph AC

DIMENSION mm/in



▲ CWG-30565



▲ CWG-30375

PERFORMANCE DATA

MODEL	Level Surface	Gradient % inclines / angle in degrees				
		10%6°	20%11°	40%22°	60%31°	80%39°
		CWG-30375	7,500	4,020	2,920	1,860
CWG-30565	9,170	4,910	3,560	2,280	1,780	1,520
CWG-30750	18,330	9,830	7,130	4,560	3,560	3,050
CWG-31500	29,170	15,630	11,340	7,250	5,660	4,840
CWG-34000	41,670	22,330	16,200	10,360	8,090	6,920

1. All rating are based on the top layer. For each layer reduction on the drum pulling capacity is increased by 10%
2. Use a snatch block for double line operation, to increase line pull by approximately 85%
3. The pulling capacities are based on a pulling load and 15% has been allowed for friction (specific applications will vary)

MODEL	CWG-30375			
Layer of Wire Rope	Lifting Capacity kg	Lifting Speed, m/min		Total Rope on the Drum, m
		A	B	
1 st	1,426	13	8.5	10
2 nd	1,244	14.9	9.8	20
3 rd	1,103	16.8	11	33
4 th	991	18.7	12.2	46
5 th	900	20.6	13.5	60

MODEL	CWG-30565			
Layer of Wire Rope	Lifting Capacity kg	Lifting Speed, m/min		Total Rope on the Drum, m
		A	B	
1 st	1,968	14	9.2	12
2 nd	1,700	16.2	10.6	26
3 rd	1,496	18.4	12.1	42
4 th	1,336	20.6	13.5	59
5 th	1,207	22.8	15	79
6 th	1,100	25	16.4	100

MODEL	CWG-30750			
Layer of Wire Rope	Lifting Capacity kg	Lifting Speed, m/min		Total Rope on the Drum, m
		A	B	
1 st	4,014	6.9	4.5	11
2 nd	3,446	8.1	5.3	24
3 rd	3,019	9.2	6	39
4 th	2,686	10.4	6.8	56
5 th	2,419	11.5	7.5	75
6 th	2,200	12.6	8.3	100

MODEL	Mounting bolts pattern								
	A	B	C	D	E	F	G	H	I
CWG-30375	500	370	4 - Ø 19	974	400	445	127	230	275
CWG-30565	620	425	4 - Ø 19	1,120	470	520	140	312	320
CWG-30750	600	499	4 - Ø 22	1,246	565	658	178	312	410
CWG-31500	847	680	8 - Ø 28	1,439	740	860	356	405	570
CWG-34000	920	680	8 - Ø 32	1,860	740	905	324	680	570

MODEL	CWG-31500			
Layer of Wire Rope	Lifting Capacity kg	Lifting Speed, m/min		Total Rope on the Drum, m
		A	B	
1 st	4,848	5.8	4.4	25
2 nd	4,422	6.4	4.8	53
3 rd	4,065	6.9	5.2	83
4 th	3,761	7.5	5.6	116
5 th	3,500	8	6	150

MODEL	CWG-34000			
Layer of Wire Rope	Lifting Capacity kg	Lifting Speed, m/min		Total Rope on the Drum, m
		A	B	
1 st	7,587	8	5.3	32
2 nd	6,718	9.1	5.9	68
3 rd	6,028	10.1	6.6	108
4 th	5,466	11.1	7.3	153
5 th	5,000	12.2	8	200

Note: Above performance ratings are based on 50Hz supply.

SOLUTION for REMOTE CONTROL

- 1). * Low voltage control ass'y LV-320
 - Remote control, CPB-161
 - . Switch cord 1.25 mm² x 3C x 3 m
 - . Pendant switch CPB-161
 - Low voltage control, LV-320 for CWG-30375, CWG-30565, CWG-30750, CWG-31500 at 380-440V power ratings
- 2). *Low voltage control ass'y LV-360
 - Remote control, CPB-161
 - . Switch cord 1.25 mm² x 3C x 3 m
 - . Pendant switch CPB-161
 - Low voltage control, LV-360 for CWG-34000 at 380-440V power ratings
- 3). Low voltage control ass'y LV-320
 - Remote control, PB-306
 - . Switch cord 1.25 mm² x 3C x 3 m
 - . Pendant switch PB-306 w/an emergency stop button
 - Low voltage control, LV-320 for CWG-30375, CWG-30565, CWG-30750, CWG-31500 at 380-440V power ratings
- 4). Low voltage control ass'y LV-360
 - Remote control, PB-306
 - . Switch cord 1.25 mm² x 3C x 3 m
 - . Pendant switch PB-306 w/an emergency stop button
 - Low voltage control, LV-360 for CWG-34000 at 380-440V power ratings



Hanger attachment comes as standard

- **Lightweight and compact design**
Allows easy installation
- **Upper hoisting limit switch**
When rope touches the limit arm, hoisting is automatically stopped
- **Lower hoisting limit switch**
Sensor arm automatically stops motor if the wire rope is under-wound
- **Dynamic and mechanical ratchet pawl brake provides instant and safe braking**
- **Can operate on standard domestic power supply**
- **Wire rope comes with a safety-latch weight hook**
- **Emergency stop function switch is available upon request**

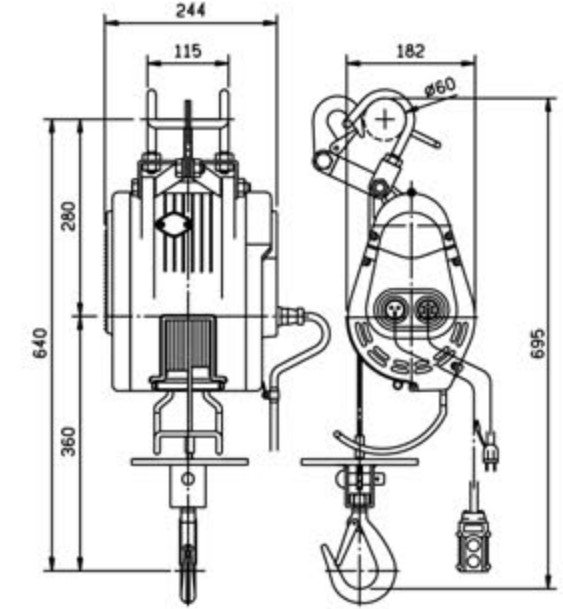
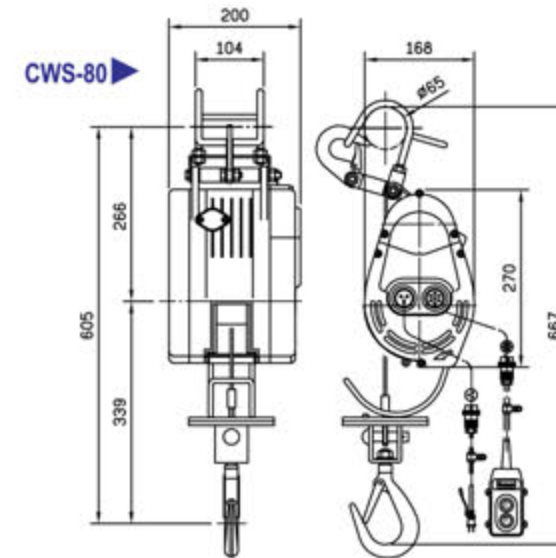
SPECIFICATIONS

MODEL		CWS-80	CWS-160	CWS-230	CWS-300
Lifting capacity kg wire rope top layer		80	160	230	300
Lifting speed, m/min	first layer	18	14	9	9
	top layer	30	22	14	13
Motor rating IP44	type	Series Wound			
	output, kw x Amp	1ph, 110V 0.8 kw x 8 A	1.2 kw x 12 A	-	-
		1ph, 220-240V 0.8 kw x 4 A	1.2 kw x 6 A	1.5 kw x 7.5 A	
Gear ratio		92:1	192:1	272:1	270:1
Maximum lifting height, m		23	30	24	24
Braking methods	for motor	Electromagnetic			
	for gear	Single mechanical ratchet	Double mechanical ratchets		
Wire rope w/hook	size, mm x m	* 4 x 24 3.2 x 36	* 4.8 x 31 4 x 41	* 5 x 25	* 4.8 x 25
	construction		6 x 19		A7 x 19
	breaking strength, kg	810 530	1,100 810	1,270	1,910
	weight hook	CHW-0032	CHW-0033		
Drum dimension, mm	length	46	60	60	60
	drum dia.	70	90	94	94
	flange dia.	158	170	170	170
Standard accessory	weight hook		*		
	remote control		*		
	power lead	1.5 mm ² x 3C x 5 m and industry plug			
Option accessory		Crane CRH-0710			-
Net weight, kg		9	14	15	17
Gross weight, kg		18	24	24	25
Box dimension, mm (L x D x H)		355 x 355 x 270		425 x 365 x 300	

Note: 1. Above performance ratings are based on 50Hz supply.
(60Hz motor available as option resulting in a reduction of lifting capacities by 20% and a speed increase of 20%)
2. *** Means standard version

110V or 220V-240V x 1ph AC (CWS-80/160/230)
220V-240V x 1ph AC (CWS-300)

DIMENSION mm/in



▲ CWS-160 / 230 / 300

PERFORMANCE DATA

Lifting Capacity, Lifting Speed and Rope Capacity			
MODEL	CWS-80		
Layer of Wire Rope	Lifting Capacity kg	Lifting Speed m/min	Total Rope on the Drum, m
1 st	132	18	2.4
2 nd	119	20.4	5.1
3 rd	108	22.4	8.1
4 th	100	24.3	11.3
5 th	92	26.3	14.8
6 th	86	28.3	18.6
7 th	80	30	24

CWS-160			
MODEL	Lifting Capacity kg	Lifting Speed m/min	Total Rope on the Drum, m
1 st	257	14	3.4
2 nd	234	15.4	7.2
3 rd	214	16.8	11.3
4 th	197	18.2	15.8
5 th	183	19.6	20.6
6 th	171	21	25.8
7 th	160	22	31

CWS-230			
MODEL	Lifting Capacity kg	Lifting Speed m/min	Total Rope on the Drum, m
1 st	351	9	3.3
2 nd	318	10.3	6.9
3 rd	290	11.3	10.9
4 th	267	12.3	15.2
5 th	247	13.3	19.9
6 th	230	14	25

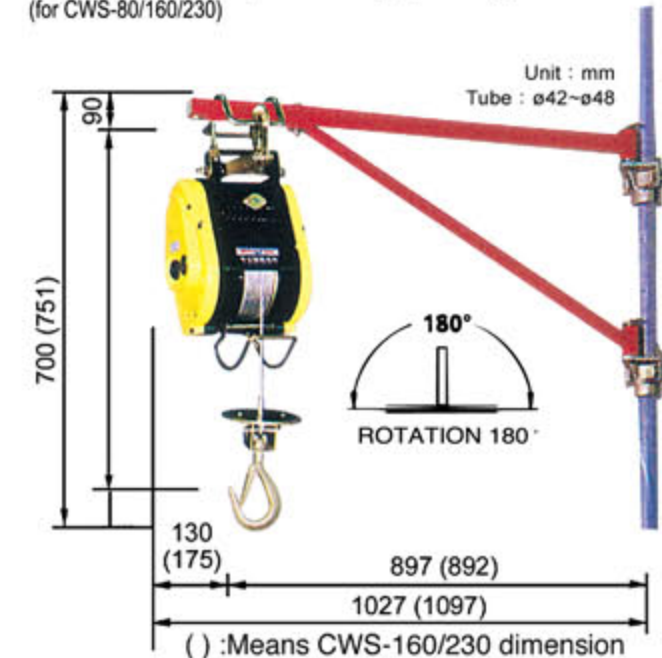
CWS-300			
MODEL	Lifting Capacity kg	Lifting Speed m/min	Total Rope on the Drum, m
1 st	446	9	3.6
2 nd	406	9.7	7.5
3 rd	373	10.6	11.7
4 th	345	11.4	16.4
5 th	321	12.3	21.3
6 th	300	13	25

SOLUTION for REMOTE CONTROL

- 1). * Remote control, CPB-313
- Switch cord 1.25 mm² x 6C x 10 m
- Pendant switch CPB-313
- 2). Remote control, PB-417
- Switch cord 1.25 mm² x 6C x 10 m
- Pendant switch PB-417 w/an emergency stop button

CRANE CRH-0710

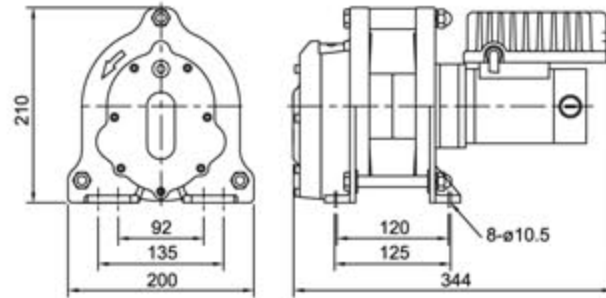
• Crane CRH-0710 for compact winch rating up to 250 kg (for CWS-80/160/230)



- Lightweight and compact design for easy installation
- Dynamic and mechanical ratchet brake provides instant and safe braking
- Operates on standard household power supply
- Wire rope comes with a safety-latch weight hook
- Enclosed drum flanges to prevent rope becoming trapped between drum and support castings
- Emergency stop function switch is available upon request



▲ CWL-80

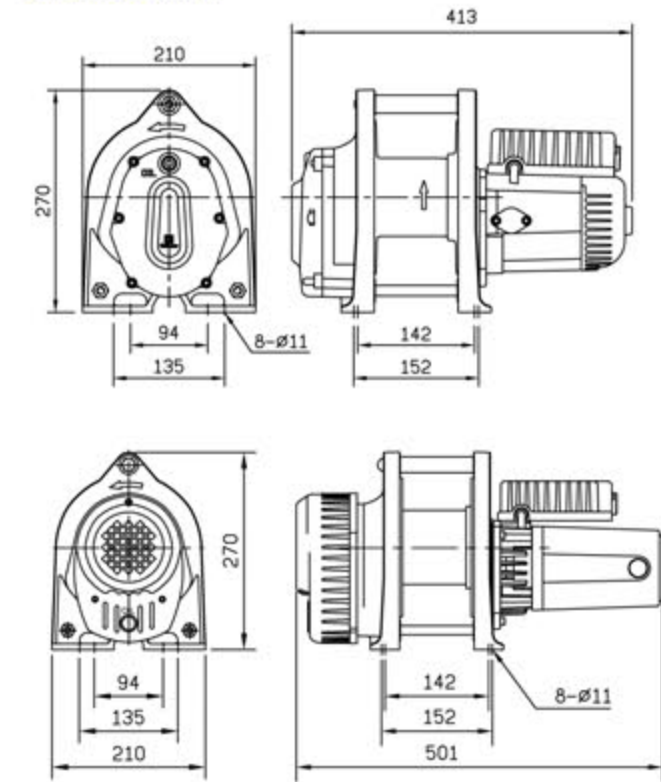


▲ CWL-200



▲ CWL-301

DIMENSION mm/in



SPECIFICATIONS

MODEL		CWL-80	CWL-200	CWL-301
Lifting capacity kg wire rope top layer		80	200	300
Lifting speed, m/min	first layer	16	11	16
	top layer	25	16	25
Motor rating IP44	type	Series Wound		
	output, 1ph, 110V kw x Amp	0.3 kw x 6 A	1.2 kw x 12 A	-
	1ph, 220-240V	0.3 kw x 3 A	1.5 kw x 7.5 A	2.3 kw x 11 A
Gear ratio		56:1	240:1	110:1
Maximum lifting height, m		23	45	29
Braking methods	for motor	Electromagnetic		
	for gear	Single mechanical ratchet	Double mechanical ratchets	
Wire rope w/hook	size, mm x m	* 4 x 24	* 5 x 46	* 6 x 30
	construction		6 x 19	
	breaking strength, kg	810	1,270	2,010
	weight hook		CHW-0031	
Drum dimension, mm	length	46	97	97
	drum dia.	70	95	95
	flange dia.	158	190	190
Mounting bolts pattern, mm x mm		120 x 90	142 x 94	
		125 x 135	152 x 135	
Standard accessory	weight hook		*	
	remote control		*	
	power lead	1.5 mm ² x 3C x 3 m and industry plug		2.0 mm ² x 6C x 10 m and industry plug
Net weight, kg (standard version)		16	30	38
Gross weight, kg		18	32	40
Body dimension, mm (L x D x H)		344 x 200 x 210	413 x 210 x 270	501 x 210 x 270
Box dimension, mm (L x D x H)		376 x 330 x 240	515 x 395 x 350	630 x 395 x 350

Note: 1. Above performance ratings are based on 50Hz supply.
(60Hz motor available as option resulting in a reduction of lifting capacities by 20% and a speed increase of 20%)
2. *** Means standard version

SOLUTION for REMOTE CONTROL (CWL-80)

- * Remote control, CPB-413
 - Switch cord 1.25 mm² x 6C x 3 m
 - Pendant switch CPB-413
- Remote control, PB-317A
 - Switch cord 1.25 mm² x 6C x 3 m
 - Pendant switch PB-317A w/an emergency stop button

SOLUTION for REMOTE CONTROL (CWL-200)

- * Remote control, CPB-313
 - Switch cord 1.25 mm² x 6C x 10 m
 - Pendant switch CPB-313
- Remote control, PB-417
 - Switch cord 1.25 mm² x 6C x 10 m
 - Pendant switch PB-417 w/an emergency stop button

PERFORMANCE DATA

Pulling load capacity for various inclines in kg						
MODEL	Level Surface	Gradient % inclines / angle in degrees				
		10%6°	20%11°	40%22°	60%31°	80%39°
CWL-80	670	360	260	170	130	110
CWL-200	1,670	890	650	410	320	280
CWL-301	2,500	1,340	970	620	490	410

- All rating are based on the top layer. For each layer reduction on the drum pulling capacity is increased by 10%
- Use a snatch block for double line operation, to increase line pull by approximately 85%
- The pulling capacities are based on a pulling load and 15% has been allowed for friction (specific applications will vary)

Lifting Capacity, Lifting Speed and Rope Capacity			
MODEL	CWL-80		
Layer of Wire Rope	Lifting Capacity kg	Lifting Speed m/min	Total Rope on the Drum, m
1 st	132	16	2.4
2 nd	119	17.2	5.1
3 rd	108	18.9	8.1
4 th	100	20.6	11.3
5 th	92	22.3	14.8
6 th	86	24	18.6
7 th	80	25	24

MODEL	CWL-200		
Layer of Wire Rope	Lifting Capacity kg	Lifting Speed m/min	Total Rope on the Drum, m
1 st	320	11	5.8
2 nd	291	11.6	12.1
3 rd	267	12.6	19.1
4 th	246	13.7	26.6
5 th	229	14.7	34.7
6 th	213	15.8	43.4
7 th	200	16	46

MODEL	CWL-301		
Layer of Wire Rope	Lifting Capacity kg	Lifting Speed m/min	Total Rope on the Drum, m
1 st	478	16	4.8
2 nd	427	17.7	10.2
3 rd	386	19.6	16.2
4 th	353	21.5	22.7
5 th	324	23.4	29.8
6 th	300	25	30

Note: Above performance ratings are based on 50Hz supply.

SOLUTION for REMOTE CONTROL (CWL-301)

- * Remote control, CPB-313
 - Switch cord 2.0 mm² x 6C x 10 m
 - Pendant switch CPB-313
- Remote control, PB-417
 - Switch cord 2.0 mm² x 6C x 10 m
 - Pendant switch PB-417 w/an emergency stop button

CWL-200L, CWL-301L

200-300 kg



▲ CWL-200L

Best solution for wind energy turbines for efficient and economical operation at great heights.

- Lightweight and compact design for easy installation
- Double mechanical ratchets brake provide instant and safe braking
- Operates on standard household power supply
- Wire rope comes with a safety-latch weight hook
- Enclosed drum flanges to prevent rope becoming trapped between drum and support castings
- Emergency stop function switch is available upon request

SPECIFICATIONS

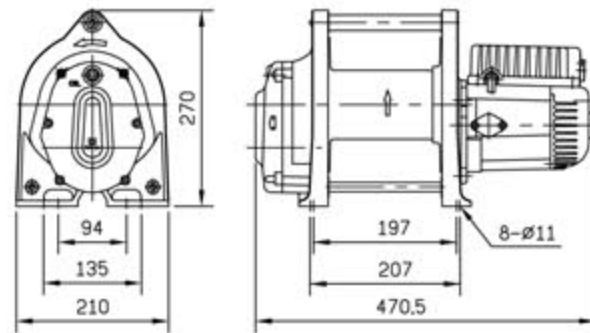
MODEL	CWL-200L	CWL-301L
Lifting capacity kg wire rope top layer	200	300
Lifting speed, m/min	11	16
Motor rating IP44	1.2 kw x 12 A	-
output, 1ph, 110V	1.5 kw x 7.5 A	2.3 kw x 11 A
kw x Amp	1ph, 220-240V	
Gear ratio	240:1	110:1
Maximum lifting height, m	69	58
Braking methods	for motor for gear	Electromagnetic Double mechanical ratchets
Wire rope w/hook	size, mm x m construction breaking strength, kg weight hook	6 x 19 2,010 CHW-0031
Drum dimension, mm	length drum dia. flange dia.	147 95 190
Mounting bolts pattern, mm x mm		197 x 94 207 x 135
Standard accessory	weight hook remote control power lead	* * 1.5 mm ² 3C x 3 m and industry plug
Net weight, kg (standard version)	33	40
Gross weight, kg	35	42
Body dimension, mm (L x D x H)	407.5 x 210 x 270	556 x 210 x 270
Box dimension, mm (L x D x H)	545 x 395 x 350	630 x 395 x 350

Note: 1. Above performance ratings are based on 50Hz supply.
(60Hz motor available as option resulting in a reduction of lifting capacities by 20% and a speed increase of 20%)
2. *** Means standard version

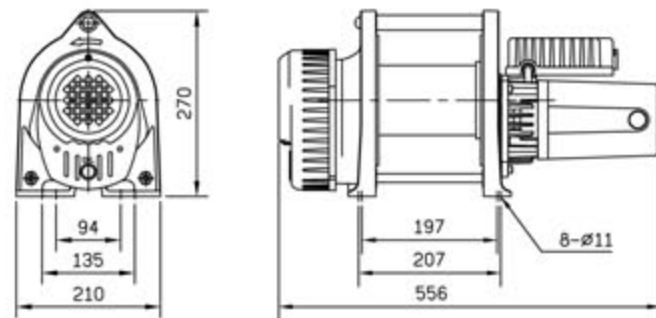
SOLUTION for REMOTE CONTROL (CWL-200L)

- 1). * Remote control, CPB-313
- Switch cord 1.25 mm² x 6C x 10 m
- Pendant switch CPB-313
- 2). Remote control, PB-417
- Switch cord 1.25 mm² x 6C x 10 m
- Pendant switch PB-417 w/an emergency stop button

DIMENSION mm/in (CWL-200L)



DIMENSION mm/in (CWL-301L)



SOLUTION for REMOTE CONTROL (CWL-301L)

- 1). * Remote control, CPB-313
- Switch cord 2.0 mm² x 6C x 10 m
- Pendant switch CPB-313
- 2). Remote control, PB-417
- Switch cord 2.0 mm² x 6C x 10 m
- Pendant switch PB-417 w/an emergency stop button

Longer Rope Compact Winch

110V or 220V-240V x 1ph AC (CWL-200L)
220V-240V x 1ph AC (CWL-301L)



▲ CWL-301L

PERFORMANCE DATA

MODEL	Level Surface	Pulling load capacity for various inclines in kg				
		10%6°	20%11°	40%22°	60%31°	80%39°
CWL-200L	1,670	890	650	410	320	280
CWL-301L	2,500	1,340	970	620	490	410

1. All rating are based on the top layer. For each layer reduction on the drum pulling capacity is increased by 10%
2. Use a snatch block for double line operation, to increase line pull by approximately 85%
3. The pulling capacities are based on a pulling load and 15% has been allowed for friction (specific applications will vary)

MODEL	CWL-200L		
Layer of Wire Rope	Lifting Capacity kg	Lifting Speed m/min	Total Rope on the Drum, m
1 st	320	11	8.9
2 nd	291	11.6	18.7
3 rd	267	12.6	29.4
4 th	246	13.7	41
5 th	229	14.7	53.5
6 th	213	15.8	66.9
7 th	200	16	71

MODEL	CWL-301L		
Layer of Wire Rope	Lifting Capacity kg	Lifting Speed m/min	Total Rope on the Drum, m
1 st	478	16	7.5
2 nd	427	17.7	15.8
3 rd	386	19.6	25
4 th	353	21.5	35.1
5 th	324	23.4	46.1
6 th	300	25	60

Note: Above performance ratings are based on 50Hz supply.

H-2500

2,500 kg

Cable Puller

110V, 220V-240V x 1ph AC



- Dual pulling capacities of 2,500 kg and 1,500 kg
- Dual speeds vary according to drum size
- A overload protection switch ensure automatic shut-off
- Electromagnetic spring-apply failsafe brake
- Heavy duty high efficiency ball bearings on all running surfaces
- Rugged high power induction motor of proven reliability
- Case hardened gear train for maximum mechanical efficiency
- Suitable for continuous pulling to tackle the toughest wall, ground and underground pulling applications

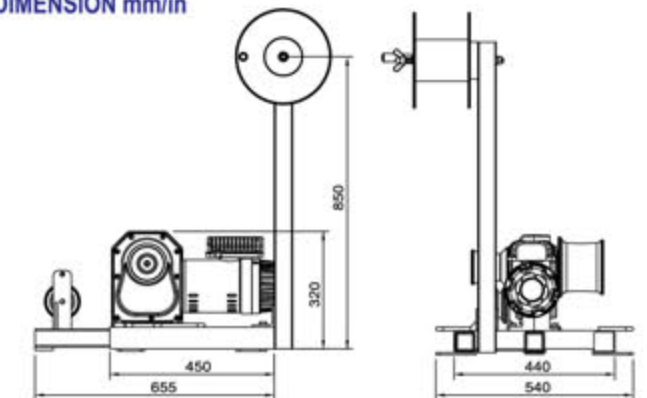
SPECIFICATIONS

MODEL	Large drum	Small drum
Pulling capacity kg	1,500	2,500
Rope speed m/min	50 Hz 4.0	2.5
	60 Hz 5.0	3.0
Gear train	hypoid gear plus spur gears	
Gear ratio	154:1	
Motor rating IP44, kw x p	0.6 x 4	
Drum dimension, mm	length drum dia. flange dia.	124 130 150
		104 74 94
Percentage duty cycle	25%ED	
Cable puller weight, kg	60	
Gross weight, kg	83	
Body dimension, mm (L x D x H)	457 x 362 x 267	
Box dimension, mm (L x D x H)	610 x 720 x 500	

STANDARD ACCESSORIES

- Rope arm
- Base plate
- Wire rope 8 mm x 50 m
- Detachable rope storage roller
- Foot control kit with 2.0 mm² x 3C x 2 m lead
- Power lead comes with 1.5 mm² x 3C x 3 mm and plug

DIMENSION mm/in



Winch Accessories Chart

Series	Model	Lifting capacity, kg	Accessories																	
			A	B	C	D	E	F	G	H	I	J	K	L	M	N	O	P	Q	R
Electric Winch	WT-180	180	●					○	●									○		
	CP-200	200	●	●				○	○		●							○		
	CP-250	250	●	●				○	○		●							○		
	CP-300	300	●	●				○	○		●							○		
	CP-500	500	●	●				○	○		●	●						○		
	CP-500T	500	●	●	○			○	○		●	●						○		
	CP-750T	750	●	●	●			○	○		●	●				●	●	○		
	CWG-10077	300	●	●				○	○		●							○		
	CWG-30075	300	●	●	○			○	○		●							○		
	CWG-10151	400	●	●				○	○		●						●	○		
	CWG-30151	500	●	●	○			○	○		●						●	○		
	CWG-30375	900	●	●				○	○		●					●	●	○		
	CWG-30565	1,100	●	●				○	○		●					●	●	○		
	CWG-30750	2,200	●	●				○	○		●					●	●	○		
CWG-31500	3,500	●	●				○	○		●					●	●	○			
CWG-34000	5,000	●	●				○	○		●					●	●	○	●		
Compact Winch	CWS-80	80	●			●		○				●						○		
	CWS-160	160	●			●		○				●		●				○		
	CWS-230	230	●			●		○				●		●				○		
	CWS-300	300	●			●		○				●		●				○		
	CWL-80	80	●						○	●	●									
	CWL-200	200	●			●			○		●									
	CWL-301	300	●			●			○		●									
Longer Rope Compact Winch	CWL-200L	200	●			●			○		●									
	CWL-301L	300	●			●			○		●									

- A....Wire rope
- B....Remote Control, HOB-213
- C....Remote Control, CPB-161
- D....Remote Control, CPB-313
- E....Remote Control, PB-331
-Standard Accessory
- F....Remote Control, PB-306
- G....Remote Control, PB-417
- H....Remote Control, PB-317A
- I....Remote Control, CPB-413
- J....Weight Hook, CHW-0031
-Option Accessory
- K....Weight Hook, CHW-0005
- L....Weight Hook, CHW-0032
- M....Weight Hook, CHW-0033
- N....Safety-latch Hook
- O....Base Plate
- P....Low Voltage Control, LV-320
- Q....Low Voltage Control, LV-360
- R....Crane CRH-0710

Remote Control



Low Voltage Control



Remote Control (switch with an emergency stop)



Weight Hook

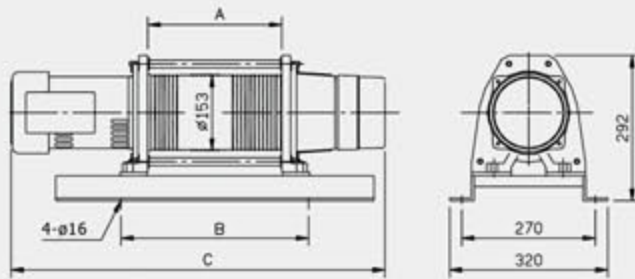


ELECTRIC GROOVED WINCH



CEP-500(S)

Single Rope

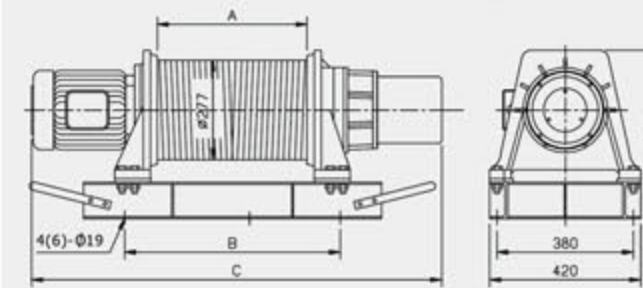


Model Number	Single phase	CEP-500S-□M	
	Three phase	CEP-500-□M	
Double fall load	kg	500	
Double fall speed	M / min	8.3	
Motor	kw X P	0.75 X 4	
Power source	1ø 50Hz	220/230/240V	
	3ø 50Hz	380/400/415V	
Lifting height	M	5	8
Wire rope	ø mm X M	8 X 16	8 X 22
		A mm	265
Dimension	B mm	380	480
	C mm	770	870
	Net weight	kg	68
Gross weight	kg	86	94

□ Means Lifting Height

CEP-2000

Double Ropes

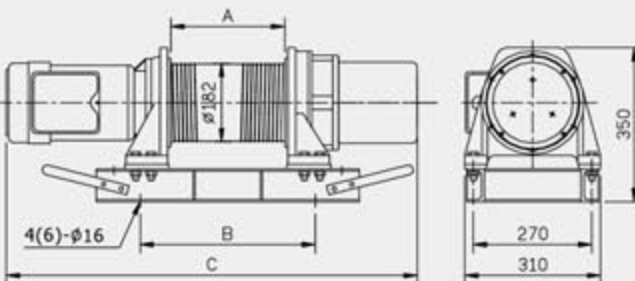


Model Number	Three phase	CEP-2000-□M		
		CEP-2000-□M		
Double fall load	kg	2,000		
Double fall speed	M / min	5		
Motor	kw X P	2.3 X 4		
Power source	3ø 50Hz	380/400/415V		
Lifting height	M	5	8	14
Wire rope	ø mm X M	10 X 16	10 X 22	10 X 34
		A mm	427	522
Dimension	B mm	600	700	1000
	C mm	1170	1265	1555
	Net weight	kg	190	215
Gross weight	kg	240	265	315

□ Means Lifting Height

CEP-1000(S)

Double Ropes

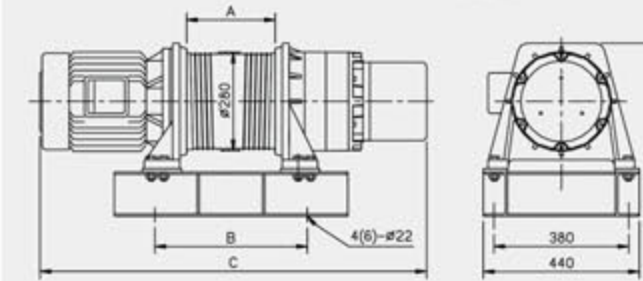


Model Number	Single phase	CEP-1000S-□M		
	Three phase	CEP-1000-□M		
Double fall load	kg	1,000		
Double fall speed	M / min	7.5		
Motor	kw X P	1.5 X 4		
Power source	1ø 50Hz	220/230/240V		
	3ø 50Hz	380/400/415V		
Lifting height	M	5	8	14
Wire rope	ø mm X M	8 X 16	8 X 22	8 X 34
		A mm	470	670
Dimension	B mm	600	800	1200
	C mm	1150	1350	1750
	Net weight	kg	111	126
Gross weight	kg	151	166	196

□ Means Lifting Height

CEP-3001

Double Ropes

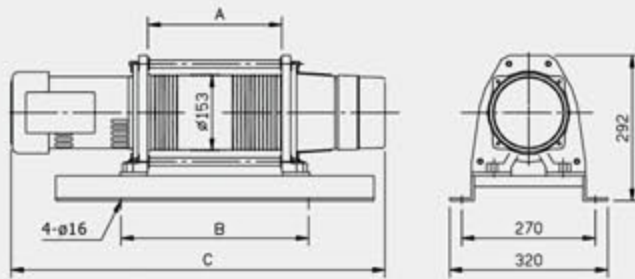


Model Number	Three phase	CEP-3001-□M		
		CEP-3001-□M		
Double fall load	kg	3,000		
Double fall speed	M / min	5.8		
Motor	kw X P	5 X 4		
Power source	3ø 50Hz	380/400/415V		
Lifting height	M	5	8	14
Wire rope	ø mm X M	12 X 16	12 X 22	12 X 34
		A mm	460	610
Dimension	B mm	640	790	1150
	C mm	1300	1450	1810
	Net weight	kg	239	252
Gross weight	kg	289	307	348

□ Means Lifting Height

CEP-500(S)

Single Rope

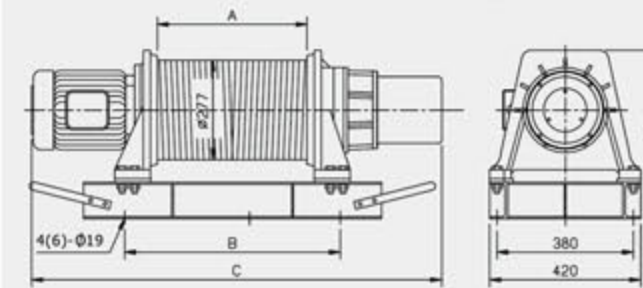


Model Number	Single phase	CEP-500S-□M	
	Three phase	CEP-500-□M	
Double fall load	kg	500	
Double fall speed	M / min	8.3	
Motor	kw X P	0.75 X 4	
Power source	1ø 50Hz	220/230/240V	
	3ø 50Hz	380/400/415V	
Lifting height	M	5	8
Wire rope	ø mm X M	8 X 16	8 X 22
		A mm	265
Dimension	B mm	380	480
	C mm	770	870
	Net weight	kg	68
Gross weight	kg	86	94

□ Means Lifting Height

CEP-2000

Double Ropes

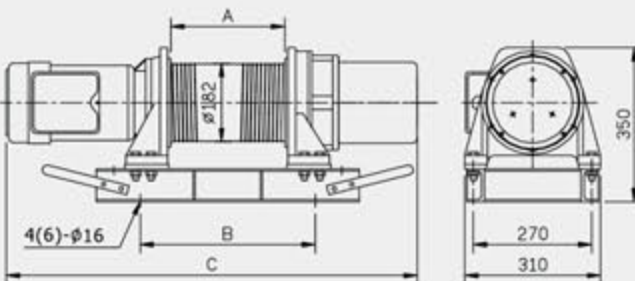


Model Number	Three phase	CEP-2000-□M		
		CEP-2000-□M		
Double fall load	kg	2,000		
Double fall speed	M / min	5		
Motor	kw X P	2.3 X 4		
Power source	3ø 50Hz	380/400/415V		
Lifting height	M	5	8	14
Wire rope	ø mm X M	10 X 16	10 X 22	10 X 34
		A mm	427	522
Dimension	B mm	600	700	1000
	C mm	1170	1265	1555
	Net weight	kg	190	215
Gross weight	kg	240	265	315

□ Means Lifting Height

CEP-1000(S)

Double Ropes

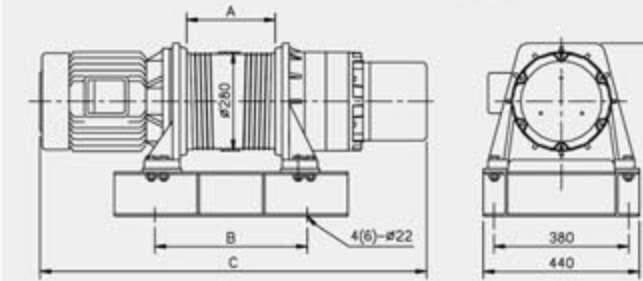


Model Number	Single phase	CEP-1000S-□M		
	Three phase	CEP-1000-□M		
Double fall load	kg	1,000		
Double fall speed	M / min	7.5		
Motor	kw X P	1.5 X 4		
Power source	1ø 50Hz	220/230/240V		
	3ø 50Hz	380/400/415V		
Lifting height	M	5	8	14
Wire rope	ø mm X M	8 X 16	8 X 22	8 X 34
		A mm	470	670
Dimension	B mm	600	800	1200
	C mm	1150	1350	1750
	Net weight	kg	111	126
Gross weight	kg	151	166	196

□ Means Lifting Height

CEP-3001

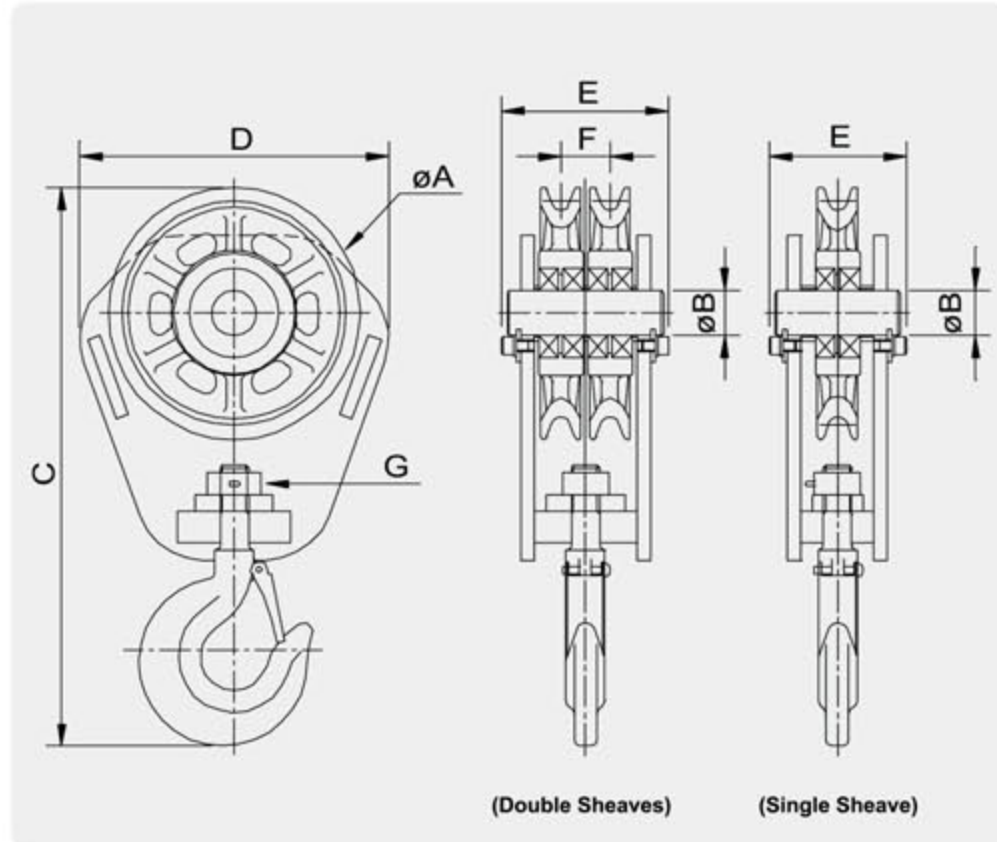
Double Ropes



Model Number	Three phase	CEP-3001-□M		
		CEP-3001-□M		
Double fall load	kg	3,000		
Double fall speed	M / min	5.8		
Motor	kw X P	5 X 4		
Power source	3ø 50Hz	380/400/415V		
Lifting height	M	5	8	14
Wire rope	ø mm X M	12 X 16	12 X 22	12 X 34
		A mm	460	610
Dimension	B mm	640	790	1150
	C mm	1300	1450	1810
	Net weight	kg	239	252
Gross weight	kg	289	307	348

□ Means Lifting Height

Single Sheave Tackle Block



Double Sheaves Tackle Block



Model Number	CBT-1000	CBT-2000	CBT-3000	CBT-1000D	CBT-2000D	CBT-3000D
Sheave	Single			Double		
Rated load	1,000	2,000	3,000	1,000	2,000	3,000
Dimension (mm)	øA	190	225	265	190	225
	øB	25	40	40	30	40
	C	392	507	540	377	507
	D	226	276	320	228	276
	E	75	122	122	128	149
	F				35	48
G	M20	M24	M30	M20	M24	M30
Max wire rope dia.	ø12	ø16	ø16	ø12	ø16	ø16

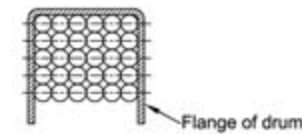
- ※The winch is not intended to be used in any manner for the movement or lifting of personnel.
- ※60Hz motor is available upon request.
- ※Use a tackle block for double line operation, to increase the rated load of the winch by approximately 85%

Winch Selections

How to select a winch

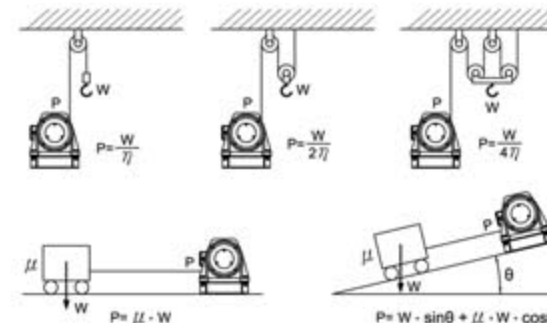
- Determine the rope tension required by the job. (The load rated in this brochure are based on top layer lifting ratings)
- Determine the rope speed
- Determine the size and length of rope
- Specify the operating phase, frequency and voltage for the electric motor

Load Ratings



Load and speed vary according to how much wire rope is on the drum. The first layer of rope on the drum delivers the slowest speed and the maximum load. The top layer delivers the maximum speed and the minimum load. For this reason, all winches are rated at their top layer of wire rope on the drum.

Calculating Head Loads



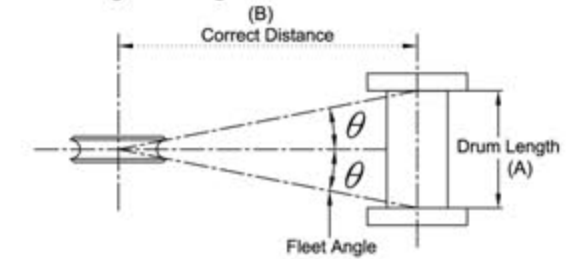
P: Rope tension η: Sheave coefficient θ: Angle
W: Load μ: Friction factor

Use a tackle block for double fall operation to increase the rated load by approximately 85% but its speed will be deducted by half accordingly.

Cart Puller Capacity

- In most pulling applications you are dealing with a rolling road rather than pulling a dead weight. Resistance to rolling is mostly influenced by the load, rolling resistance, track gradient, track curvature, track conditions.
- Load: Calculate the total weight of all the loaded cart to be moved simultaneously.
 - Rolling resistance: Resistance to rolling is influenced by the wheel journals, type of lubrication used and the ambient temperature.
 - Track gradient: For each one percent gradient, a rise of one meter for every 100 meter of track, the running line pull must be increased by 10 kg per ton.
 - Track curvature: To overcome the effects of wheels binding against rails on curved sections of track, running line pull must be increased. For each degree of curvature, the running line pull must be increased by 1kg per ton.
 - Track conditions: The condition of substandard track can vary considerably.

Calculating Fleet Angle



To obtain the best wire rope service, the maximum fleet angle should not more than 1.5 degree for smooth drum and 2° for grooved drum. The correct distance (B) a lead sheave should be located from the center line of winch drum may be derived by the following :

B for 1.5 degree fleet angle (θ) = Drum length (A) (in centimeter) x 19

Safety Requirements

- Regarding ropes, requires a minimum of 3:1 safety factor with an 12:1 D/d ratio rope pitch diameter to drum diameter for most winching applications such as pulling (eg. pulling/hauling and anchor handling). For lifting and lowering a 5:1 safety factor with an 15:1 rope pitch diameter to drum diameter is required.
- The life of the winch is depending on the conditions of the load and working frequency. In the long time operation, make sure to use the machine within its continuous ratings. Continuous ratings means the percentage duty cycle (%ED) is subject to the rated voltage, rated frequency and a 63% of rated load. For this reason, all winches are rated at a 25% percentage duty cycle (%ED).

Percentage duty cycle (%ED) = $\frac{T_b}{T_b + T_s} \times 100\%$

T_b : total sum of overall loading operating hours
T_s : total sum of stopping hours
T_b+T_s = approximately 1 to 10 min.

- The flanged drum end plates shall protrude beyond the rope wound on the drum at the top layer by at least 1.5 x the nominal rope diameter.
- A minimum of five (5) wraps of rope around the drum is necessary to make the rope and stopping secure.
- Wire rope can break without warning. Always keep a safe distance from the winch and wire rope while under a load.
- Failure to adequately align, support, or attach winch to a suitable mounting base could result in a loss of efficiency or premature failure of winch, wire rope, or mounting base.

Warning

- It is forbidden to move loads above the rated capacity of the winch.
- Do not try to move fixed or obstructed loads.
- With winches for lifting and lowering suspend loads, side-pull of load is not allowed.
- Excessive inching (e.g. giving short pulses to the motor) shall be avoided.
- Ban on transporting persons.
- Inspection of wearing parts such as ropes, hooks and brake linings.
- Divide the checking into daily checking and periodic checking

Warranty

Each new winch/hoist is guaranteed against defects in workmanship and material defects for a period of one (1) year from the original date of purchase.

WIRE ROPE / CHAIN ARE NOT INCLUDED UNDER WARRANTY.