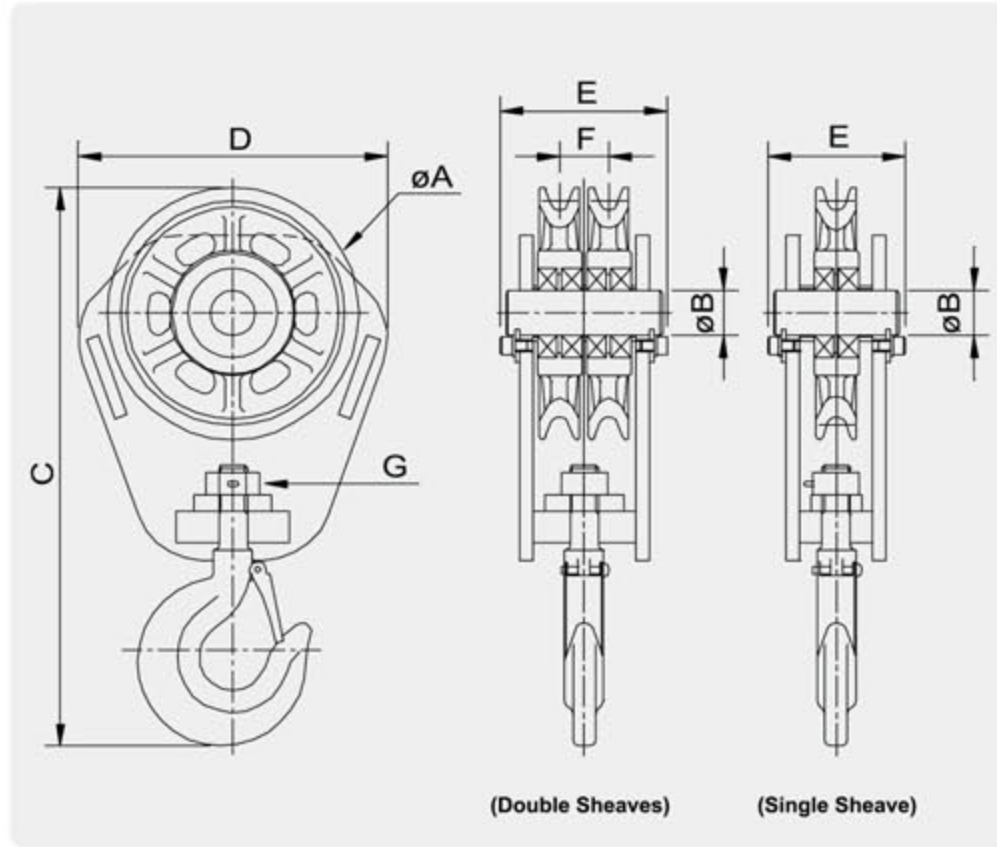


Single Sheave Tackle Block



Double Sheaves Tackle Block



Model Number	CBT-1000	CBT-2000	CBT-3000	CBT-1000D	CBT-2000D	CBT-3000D
Sheave	Single			Double		
Rated load	1,000	2,000	3,000	1,000	2,000	3,000
Dimension (mm)	øA	190	225	265	190	225
	øB	25	40	40	30	40
	C	392	507	540	377	507
	D	226	276	320	228	276
	E	75	122	122	128	149
	F				35	48
G	M20	M24	M30	M20	M24	
Max wire rope dia.	ø12	ø16	ø16	ø12	ø16	

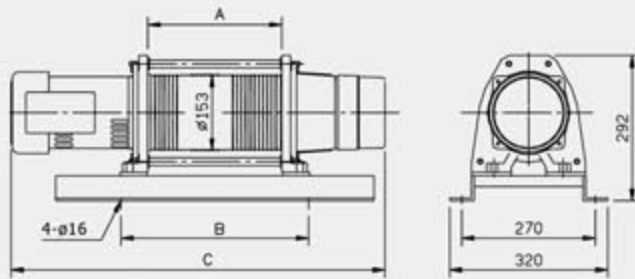
※The winch is not intended to be used in any manner for the movement or lifting of personnel.  
 ※60Hz motor is available upon request.  
 ※Use a tackle block for double line operation, to increase the rated load of the winch by approximately 85%

ELECTRIC GROOVED WINCH



**CEP-500(S)**

**Single Rope**

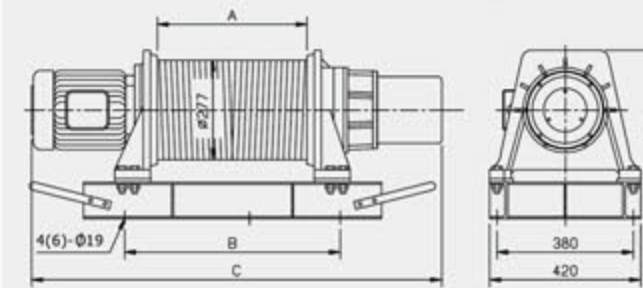


Model Number	Single phase	CEP-500S-□M	
	Three phase	CEP-500-□M	
Double fall load	kg	500	
Double fall speed	M / min	8.3	
Motor	kw X P	0.75 X 4	
Power source	1ø 50Hz	220/230/240V	
	3ø 50Hz	380/400/415V	
Lifting height	M	5	8
Wire rope	ø mm X M	8 X 16	8 X 22
		A mm	265
Dimension	B mm	380	480
	C mm	770	870
	Net weight	kg	68
Gross weight	kg	86	94

□ Means Lifting Height

**CEP-2000**

**Double Ropes**

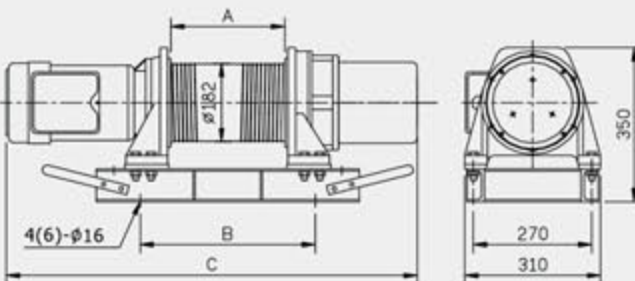


Model Number	Three phase	CEP-2000-□M		
		CEP-2000-□M		
Double fall load	kg	2,000		
Double fall speed	M / min	5		
Motor	kw X P	2.3 X 4		
Power source	3ø 50Hz	380/400/415V		
Lifting height	M	5	8	14
Wire rope	ø mm X M	10 X 16	10 X 22	10 X 34
		A mm	427	522
Dimension	B mm	600	700	1000
	C mm	1170	1265	1555
	Net weight	kg	190	215
Gross weight	kg	240	265	315

□ Means Lifting Height

**CEP-1000(S)**

**Double Ropes**

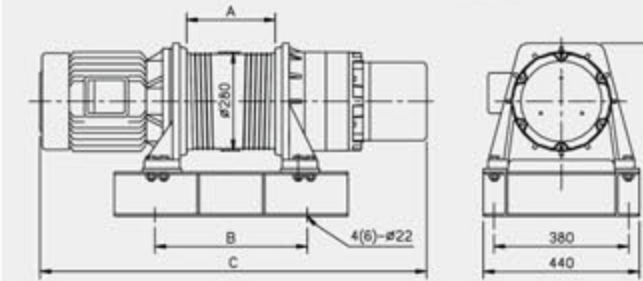


Model Number	Single phase	CEP-1000S-□M		
	Three phase	CEP-1000-□M		
Double fall load	kg	1,000		
Double fall speed	M / min	7.5		
Motor	kw X P	1.5 X 4		
Power source	1ø 50Hz	220/230/240V		
	3ø 50Hz	380/400/415V		
Lifting height	M	5	8	14
Wire rope	ø mm X M	8 X 16	8 X 22	8 X 34
		A mm	470	670
Dimension	B mm	600	800	1200
	C mm	1150	1350	1750
	Net weight	kg	111	126
Gross weight	kg	151	166	196

□ Means Lifting Height

**CEP-3001**

**Double Ropes**



Model Number	Three phase	CEP-3001-□M		
		CEP-3001-□M		
Double fall load	kg	3,000		
Double fall speed	M / min	5.8		
Motor	kw X P	5 X 4		
Power source	3ø 50Hz	380/400/415V		
Lifting height	M	5	8	14
Wire rope	ø mm X M	12 X 16	12 X 22	12 X 34
		A mm	460	610
Dimension	B mm	640	790	1150
	C mm	1300	1450	1810
	Net weight	kg	239	252
Gross weight	kg	289	307	348

□ Means Lifting Height